

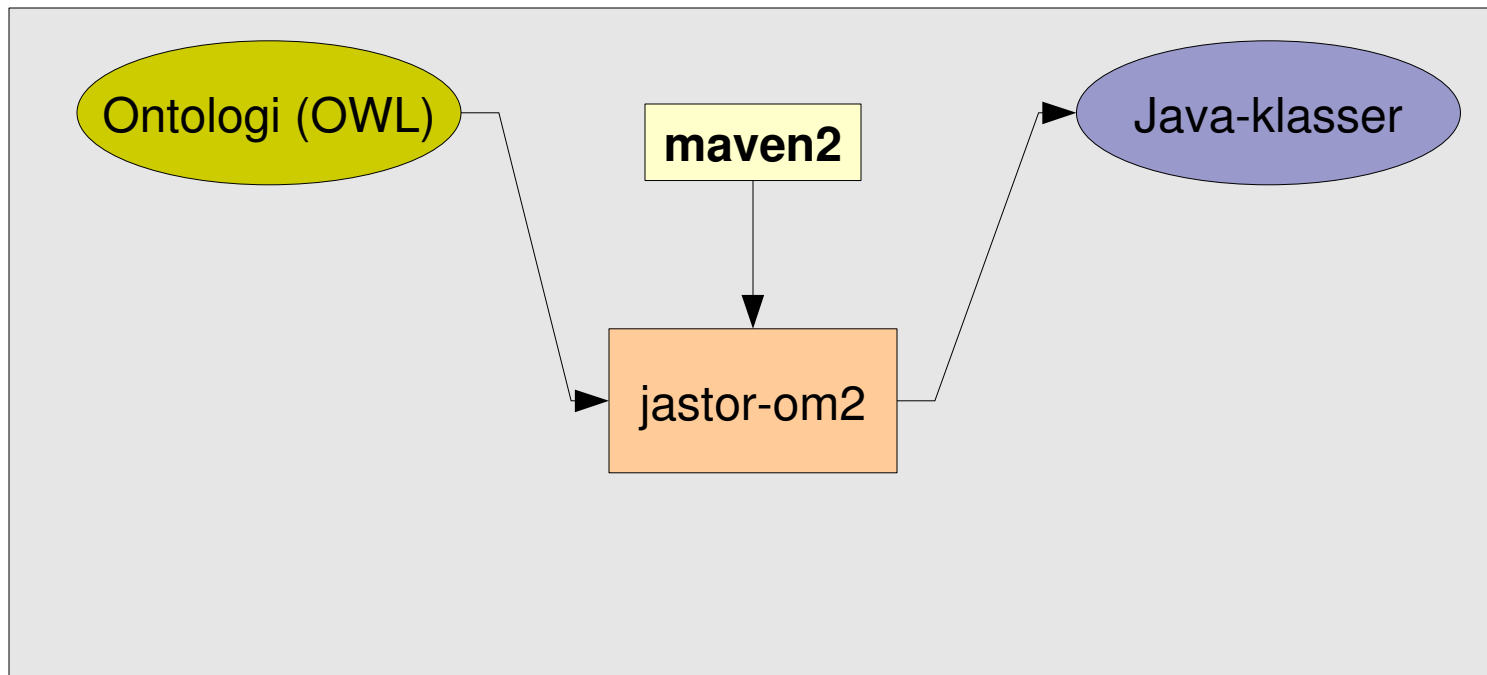
Java OM2

Leif Johansson/OMDC08

Teknologi

- om4j
 - Hela OM2-protokoll-stacken
- jastor-om2
 - OWL -> Java
- ddds4j
 - RFC 3401 – RFC 3405
- om2-ontologies
 - Java-version av: om2.owl, node.owl, prim.owl,...

10k fot: OWL -> Java



om2-message-ontology.jar

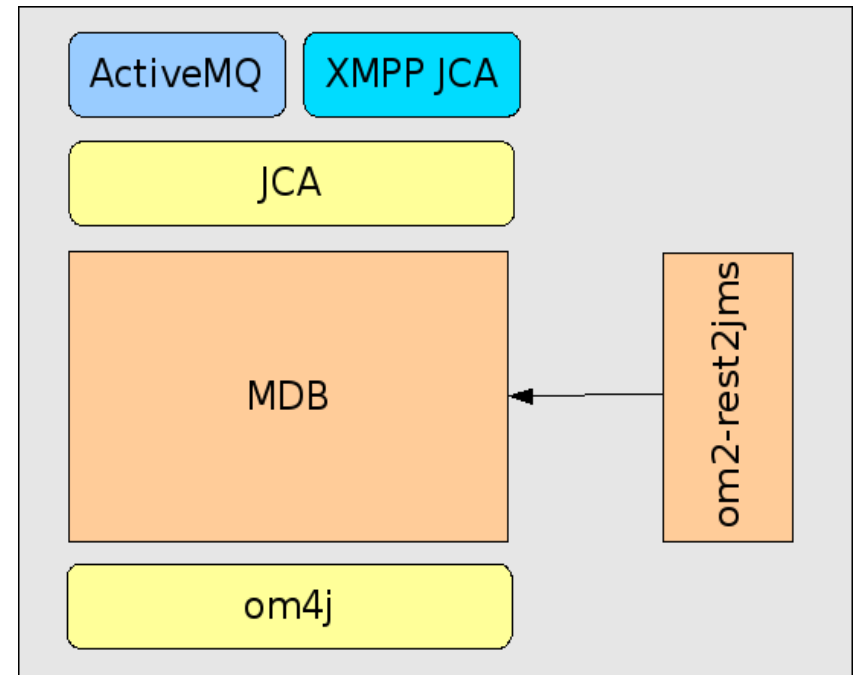
```
# jar tf om2-message-ontology.jar
META-INF/
META-INF/MANIFEST.MF
se/
se/swami/
se/swami/om2/
se/swami/om2/message/META-INF/om2.xml
se/swami/om2/message/OmObjectImpl.class
se/swami/om2/message/OmObject.class
se/swami/om2/message/ErrorImpl.class
se/swami/om2/message/Error.class
se/swami/om2/message/MessageListener.class
se/swami/om2/message/Message.class
se/swami/om2/message/ErrorListener.class
se/swami/om2/message/Factory.class
se/swami/om2/message/MessageImpl.class
se/swami/om2/message/OmObjectListener.class
META-INF/maven/
META-INF/maven/se.swami.om2/
META-INF/maven/se.swami.om2/om2-message-ontology/
META-INF/maven/se.swami.om2/om2-message-ontology/pom.xml
META-INF/maven/se.swami.om2/om2-message-ontology/pom.properties
```

Vad motsvarar en OM2-nod i Java?

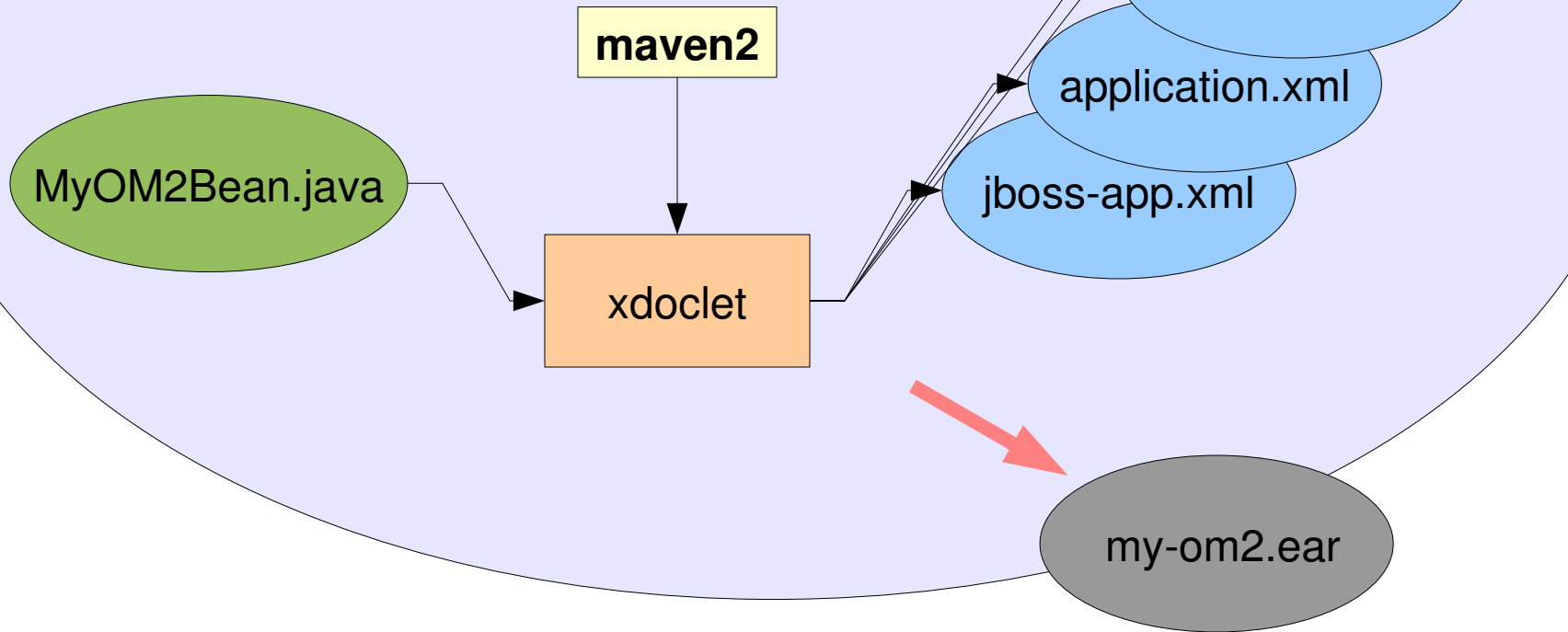
- Sprint Message Driven POJO
- J2EE MDB
- ...

J2EE OM2

- JMS-baserat
 - Queue eller Topic
- Stöd för alla JCA-baserade transporter
- Testat på JBoss 4.0.x med REST-transport



MDB byggsystemet



Exempel

```
package my.om2.bean;

import ...

/**
 * @ejb.bean
 *     name="MyOM2Bean"
 *     acknowledge-mode="Auto-acknowledge"
 *     destination-type="javax.jms.Queue"
 *     subscription-durability="NonDurable"
 *     transaction-type="Container"
 *
 * @jboss.destination-jndi-name name="queue/MyPersonQueue"
 */

public class MyOM2Bean extends MiroConsumerBean {

    public void onAdd(Person p) throws OMException
    {

    }

    public void onDelete(Person p) throws OMException
    {

    }

}
```

```
package my.c
import ...

/**
 * @ejb.bean
 *     name="MyOM2Bean"
 *     acknowledge-mode="Auto-acknowledge"
 *     destination-type="javax.jms.Queue"
 *     subscription-durability="NonDurable"
 *     transaction-type="Container"
 * @jboss.destination-jndi-name name="queue/MyPersonQueue"
 */

public class MyOM2Bean extends MiroConsumerBean {

    public void onAdd(Person p) throws OMException
    {

    }

    public void onDelete(Person p) throws OMException
    {

    }

}
```

xdoclet används för att
generera all paketering
av MDB-bönan

```
package my.om2.bean;

import ...

/**
 * @ejb.bean
 *     name="MyOM2Bean"
 *     acknowledge-mode="Auto-acknowledge"
 *     destination-type="javax.jms.Queue"
 *     subscription-durability="NonDurable"
 *     transaction-type="Container"
 * @jboss.destination-jndi-name name="queue/MyF
 */

public class MyOM2Bean extends MiroConsumerBean {

    public void onAdd(Person p) throws OMException
    {

    }

    public void onDelete(Person p) throws OMException
    {

    }

}
```

MiroConsumerBean är en basclass för MDB-bönor som "kan" MIRO-ontologin. MiroConsumerBean använder introspektion för att anropa metoder i bönan.

```
package my.om2.bean;
```

```
import ...
```

```
/**  
 * @ejb.bean  
 *     name="MyOM2Bean"  
 *     acknowledge-mode=  
 *     destination-type=  
 *     subscription-dura=  
 *     transaction-type=  
 *  
 * @jboss.destination-jndi-name n=.../MyPersonQueue"  
 */
```

Metoder som kan deklareras är:

- **onAdd**
- **onDelete**
- **onDeleteAndInsert**
- **onMatchAndReplace**
- **onMatchReplaceAndInsert**
- **onMatchReplaceInsertOtherwise**

```
public class MyOM2Bean extends JMSConsumerBean {  
    public void onAdd(Person p) throws OMException  
    {  
    }  
  
    public void onDelete(Person p) throws OMException  
    {  
    }  
  
}
```

```
package my.om2.bean;

import ...

/**
 * @ejb.bean
 *     name="MyOM2Bean"
 *     acknowledge-mode="Auto-acknowledge"
 *     destination-type="javax.jms.Queue"
 *     subscription-durability="NonDurable"
 *     transaction-type="Container"
 * @jboss.destination-jndi Observera typningen! PersonQueue"
 */

public class MyOM2Bean extends MiroConsumerBean {
    public void onAdd(Person p) throws OMException
    {
    }

    public void onDelete(Person p) throws OMException
    {
    }
}
}
```

Kom-i-gång snabbt

- Sätt upp byggverktyg:
 - <https://roundup.it.su.se/confluence/x/xAAh>
- Installera en JBoss:
 - <https://roundup.it.su.se/confluence/x/owEh>
- Skapa en MDB:
 - <https://roundup.it.su.se/confluence/x/EgM1>

TODO

- Metadata-servlet
- Övervakning
- Mer dokumentation!