

Large scale identity administration (mostly using opensource)

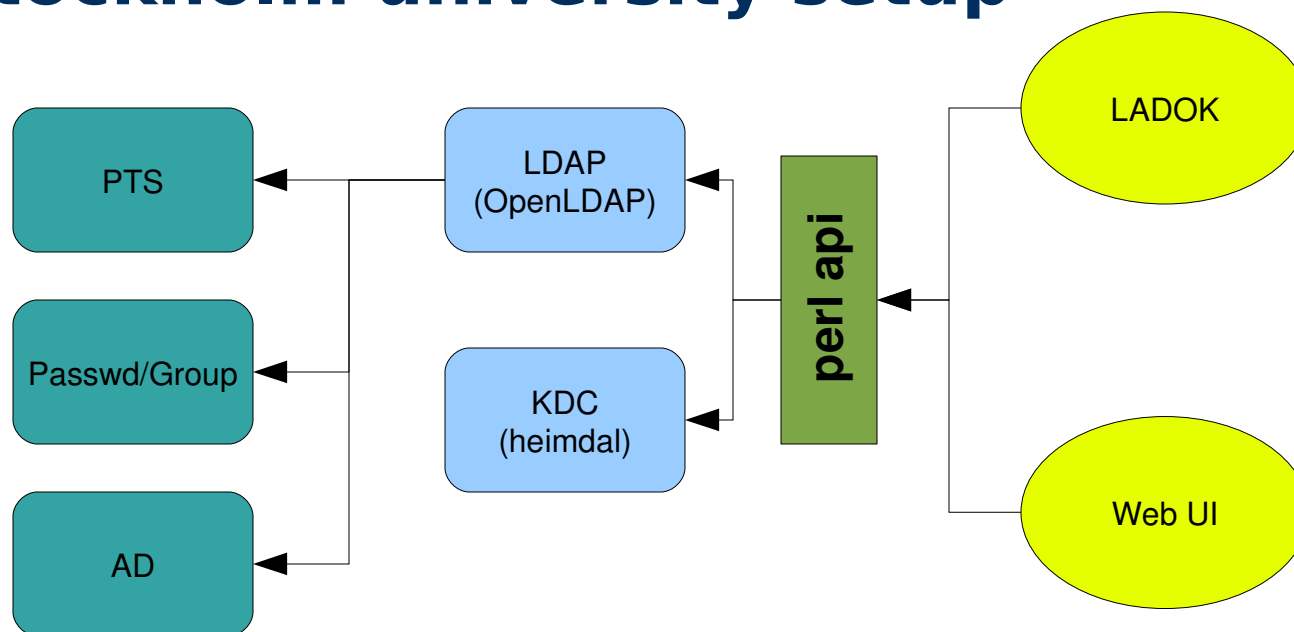
Leif Johansson

Producing identities

And so it begins!

```
# vi /etc/passwd
```

Stockholm university setup



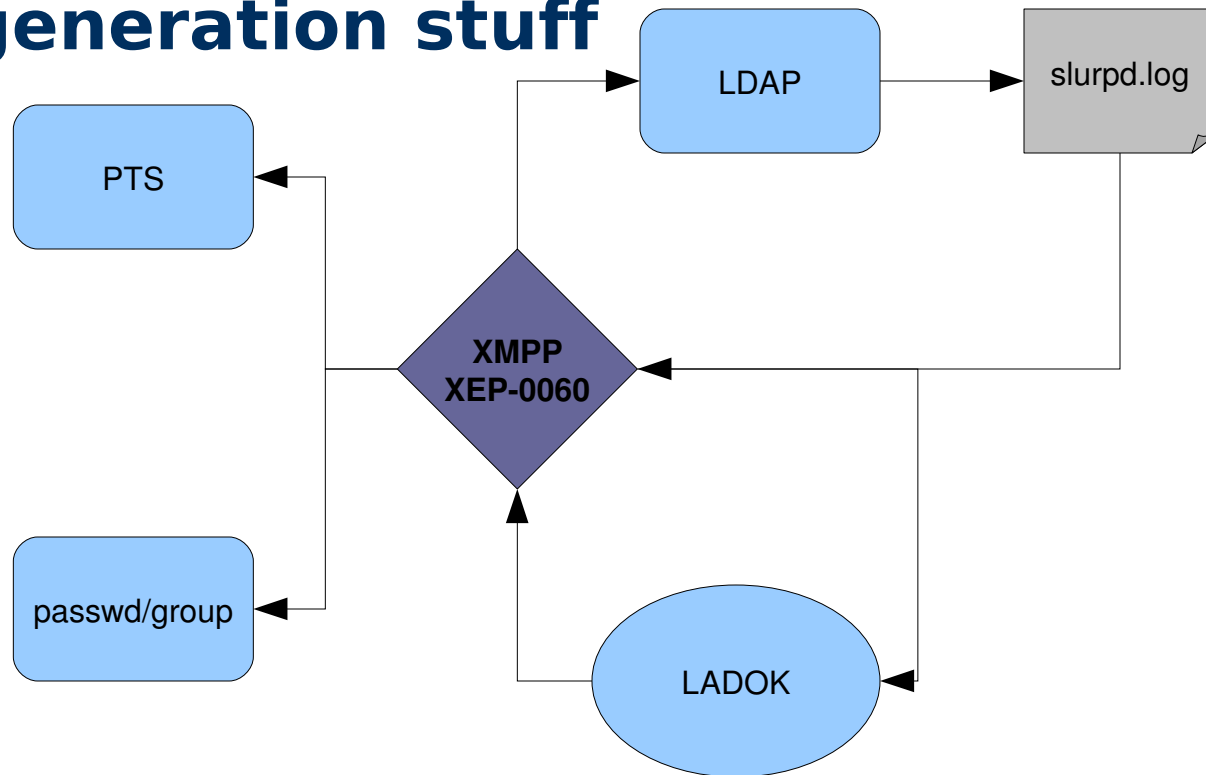
Tools

- Net::LDAP (AD is an LDAP server too!)
- Heimdal kadmin & kpasswd
- Perl (and lots of it!)

The Problem with this stuff...

- 150k users, 41k groups
 - takes >6 hours to send everything everywhere!

Next-generation stuff

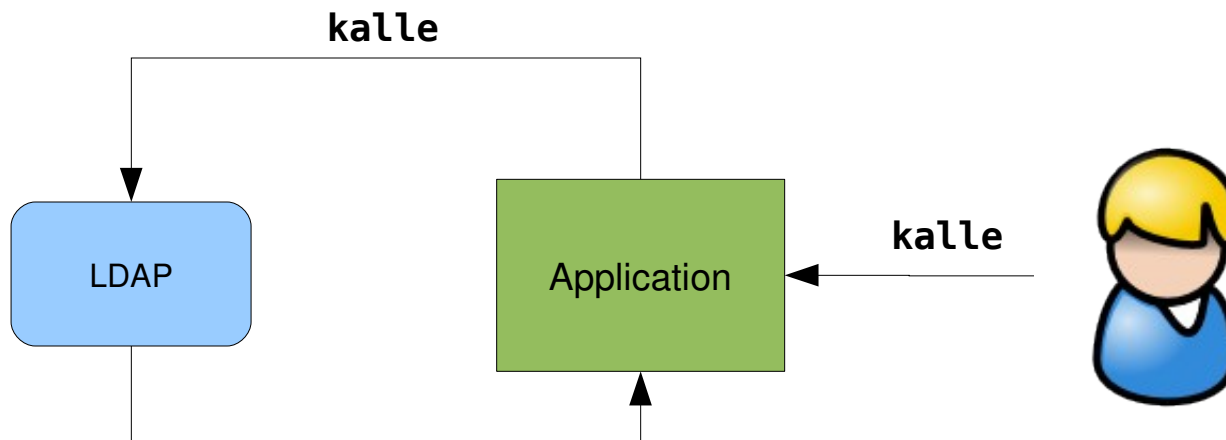


Tools

- Net::XMPP
- Net::LDAP
- ejabberd (for XEP-0060)
- perl & java
- <http://www.openmetadir.org>

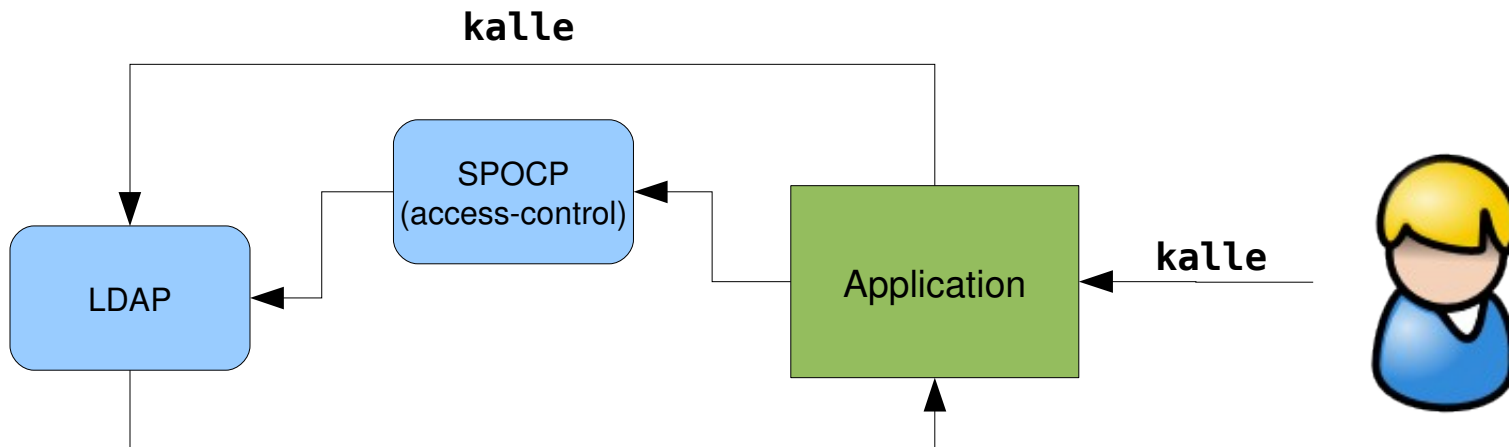
Consuming identities

The classical model



dn: uid=kalle
uid: kalle
displayName: Kalle Kula

The classical model (our twist)

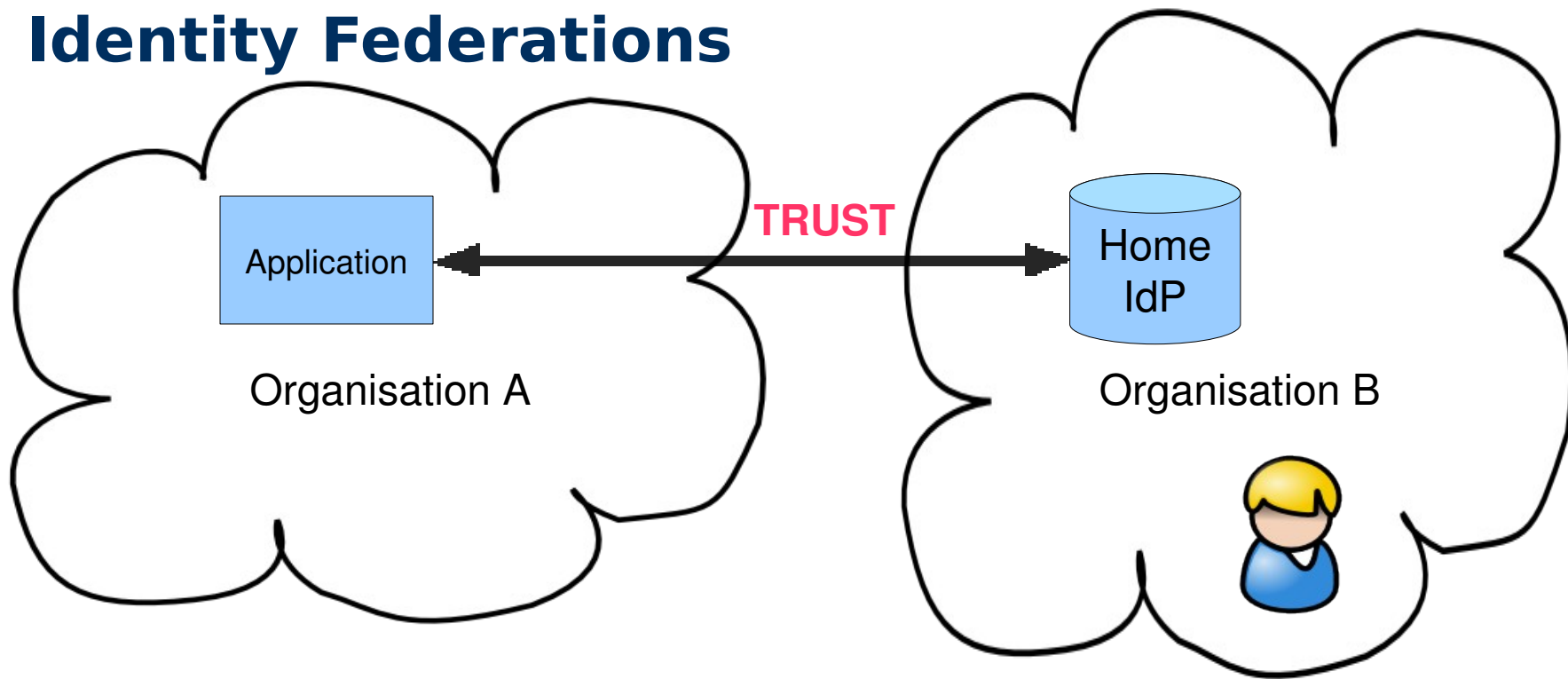


dn: uid=kalle
uid: kalle
displayName: Kalle Kula

The problem with this stuff...

- Foreign users
 - expanding our LDAP to cover the world won't work

Identity Federations



Examples

- <http://mondo.su.se>
 - Users from several identity providers
 - We trust each IdP to keep track of their own users
- A club of IdPs operating under similar conditions is called an Identity Federation.

Tools

- Shibboleth
 - <http://shibboleth.internet2.edu>
 - SAML v1 and v2 implementation
- SimpleSAMLphp
 - <http://rnd.feide.no/simplesamlphp>

Wishlist

- open source information card implementation
 - http://en.wikipedia.org/wiki/Information_Card

Q & A